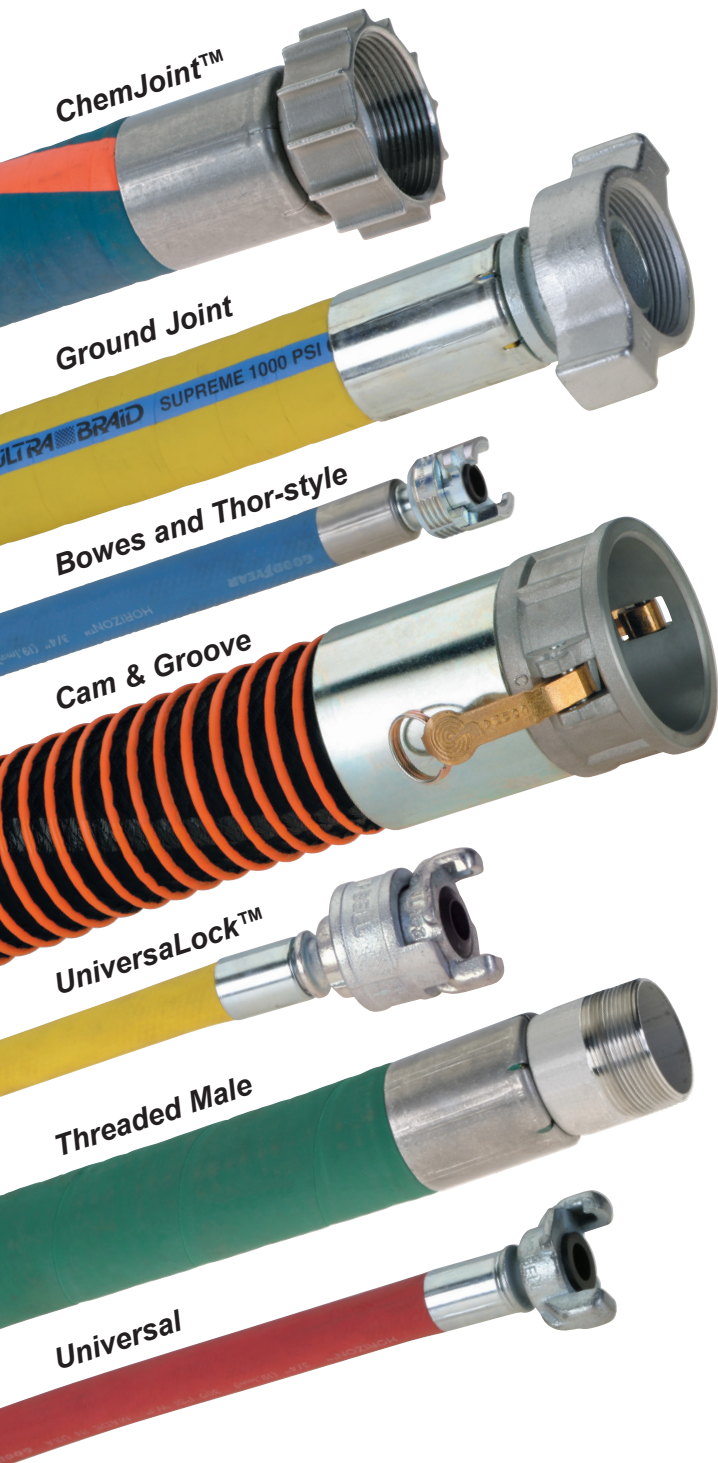




# CAMPBELL CRIMPNOLOGY™



**Campbell Crimpnology™ delivers the only comprehensive package of crimping products in the industry**

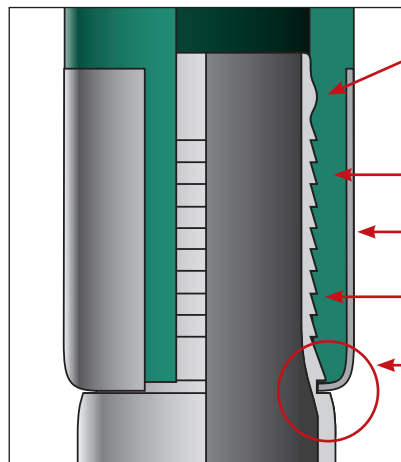
Campbell Crimpnology includes fittings, couplings, ferrules, sleeves, crimp specs, testing, and training.

## Get with the system!

Ferrules and sleeves provide a neat, simple, attractive hose assembly system for your end-user customer. An assembly system is a powerful tool to attract and keep business, increasing sales and profits.

## Crimping Features and Benefits

- Provides precisely measured, repeatable assemblies
- Allows for higher working pressures than band clamps
- Improves “dragability”... low profile, no sharp edges, reduces weight
- Ferrules interlock with couplings/fittings, offering the ultimate in hose retention (see diagram below).



### RELIEF BUMP

*Prolongs the life of the hose assembly by relieving stress and failure points commonly found at the end of crimped fittings.*

### HOSE

### FERRULE

### FITTING

### INTERLOCK

*The turn-in of the ferrule interlocks with the machined groove on the fitting or coupling, providing a mechanical attachment for exceptional hose retention.*

### *crimp-nol'o-gy n.*

systematic treatment of the art of hose/fitting attachment

**a:** the practical application of hose attachment methods

*<crimped hose assemblies>*

**b:** a capability given by the practical application of crimping knowledge

*<repeatable hose assemblies>*

**c:** a method, process, etc. for handling a specific hose problem

*<a tool to increase sales>*

**Choose Campbell Crimpnology™ for all your air, steam, chemical, petroleum, and specialty hose applications!**

**CAMPBELLFITTINGS.COM | 800-367-3678**



Campbell Fittings is part of the Ideal Tridon Group. Learn more at [idealtridongroup.com](http://idealtridongroup.com)

© 2024 Ideal Clamp Products, Inc.

V1 10.1.24