



ZERO PUDDLE PROCESS TUBE & PIPE HANGERS

APPLICATIONS:

- Cleanrooms and mechanical areas - not limited to: biotech, pharmaceutical, food processing, beverage, dairy, cosmetic, chemical, water treatment, and semi-conductor industries.
- Low flow & low pressure systems with moderate vibration: WFI, SIP, CIP, process, utility & instrument lines

SIZES:

- Support Range: 1/4" - 6" Tube and 1/2" - 6" Pipe for Copper and Conduits including PVC Coated Pipe contact us
- Tight fit Anchors and loose fit Guides are offered

FEATURES:

- Reduced OD allows hanger to be encased under the insulation's jacket
- ZERO PUDDLE Silicones inserts raised geometry facilitates drainage of liquids on vertical/riser lines creating maintenance uptime

MATERIALS:

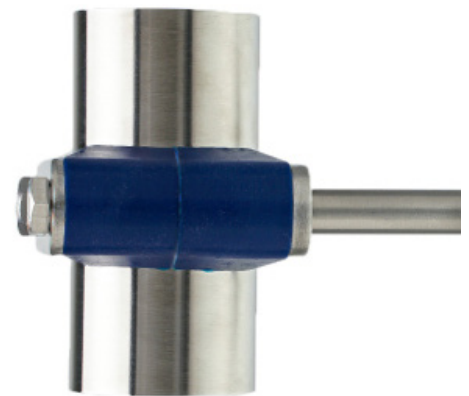
- 304 and 316 stainless steels
- ZERO PUDDLE inserts are FDA grade silicone rubber

SPECIFICATIONS:

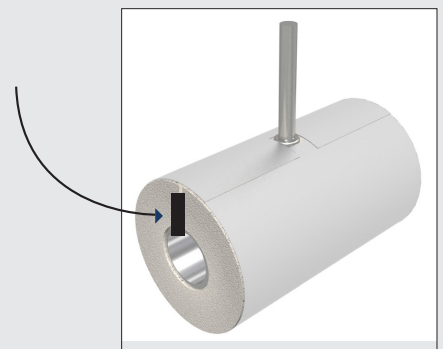
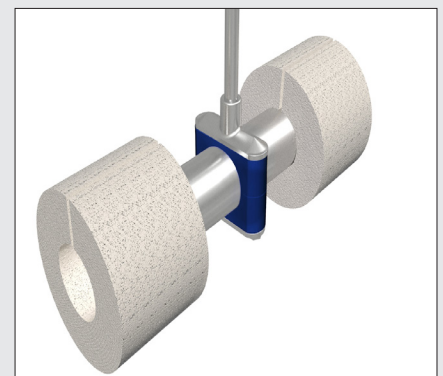
- Intermittent temperatures from -40F to 320F
- Continues temperatures from -20F to 302F - Contact us with continuous application's environmental details

BENEFITS:

- Guides loose fit allow the line to freely expand and contract during thermal cycling, preventing undo stress to welds
- Hanger's threaded section is elongated, increasing the housings elevation adjustment aiding in slope alignment
- Insulation Envelope "IE": Reduced OD allows hanger to be buried under the insulation jacket
- There are no exposed threads or openings in hardware plates
- Hanger threads match MSS 69 rod OD requirement
- Hanger threads match MSS 69 rod OD requirements
- Silicone inserts are resistant to high and low temperatures



INSULATION ENVELOPE "IE"





HANG MOUNT - CSDH STYLE - THREADED CONNECTION

- Zero Puddle silicone rubber grommets convex geometry eliminates puddling liquid on riser/vertical line
- Shaped hardware reduces flat surfaces while supporting horizontal lines
- Expanded threaded section aids during slope/elevation adjustment
- Hangers threads match MSS 69 rod OD requirements
- Ideal for long runs or on piping connect equipment
- Shielded all thread rods are a time saver

WELD MOUNT - CSDW STYLE - BOTTOM RECEIVES WELD

- Zero Puddle silicone rubber grommets convex geometry eliminates puddling liquid on riser/vertical lines
- Weld/Bottom plates added thickness helps prevent warping during welding
- Guides are available for all CSD Series hangers
- Excellent hanger for welding to skids either direct to from or via rod
- Welding a rod the weld plate? Consider the CSDW6R Style

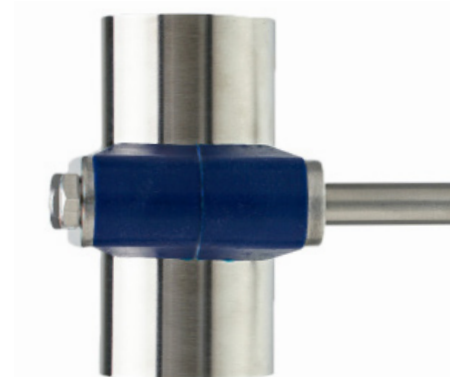


BASE MOUNT - CSDW STYLE - BOTTOM RECEIVES WELD

- Zero Puddle silicone rubber grommets convex geometry eliminates puddling liquid on riser/vertical lines
- Shaped hardware reduces flat surfaces while supporting horizontal lines
- 3 mounts are offered: a flat bottom plate or with a threaded coupling or a rod welded to the bottom plate
- Perfect for floor mounts or on a skid

ROD MOUNT - CSDW6R STYLE - 6" IS STANDARD ROD LENGTH

- Zero Puddle silicone rubber grommets convex geometry eliminates puddling liquid on riser/vertical lines
- CSDW Series with a rod welded to the weld/bottom plate
- 6" is the stock rod length, custom lengths are offered
- No better hanger for supporting vertical process tube or piping



SHIELDED ALL THREAD ROD

- LDPE sleeve covers the stock 6' section of all thread
- Quick cut to length in field
- Utility knife removes LDPE exposing threads