



ZERO CAULK TUBE & PIPE BRACKETS

MOUNTING:

- Blindside - Insulated Metal Panels IMP's, Masonry
- Openside - Gypsum Board, Beams, Plates

APPLICATIONS:

- Cleanrooms and mechanical areas - not limited to: biotech, pharmaceutical, food processing, beverage, dairy, cosmetic, chemical, water treatment, and semi-conductor industries
- Low flow & low pressure systems with moderate vibration: WFI, SIP, CIP, process, utility & instrument lines



SIZES: PROCESS HEX HANGER - PHH STYLE

- Support Range: 1/4" - 3" Tube and 1/2" - 2" Pipe for Copper and PVC Coated Pipe and EMT Conduit contact us

FEATURES:

- **NEW** - Silver ion additive is blended in the FDA grade Silicone Rubber Gaskets, impeding bacterial, mold, fungus from forming on the gasket
- Bracket's Cups/Boots encase while a Silicone Rubber Gasket creates a seal over the Jack Nut/rievet nut
- Silicone Rubber Gasket creates a drainable and cleanable seal to surface
- Silicone Rubber Gasket eliminates the use of caulk. Caulk will breakdown/crack creating voids
- Jack Nut's tensile strengths are over 820 pounds
- ZERO PUDDLE Silicones inserts raised geometry facilitates drainage of liquids on vertical/riser lines creating maintenance uptime.
- There are no exposed threads or openings

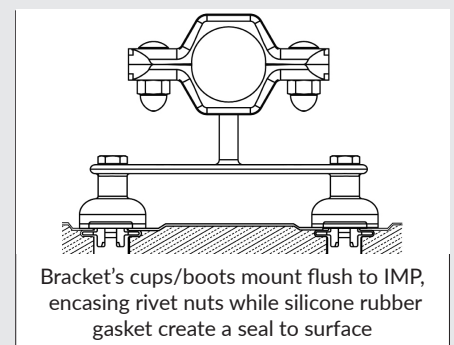
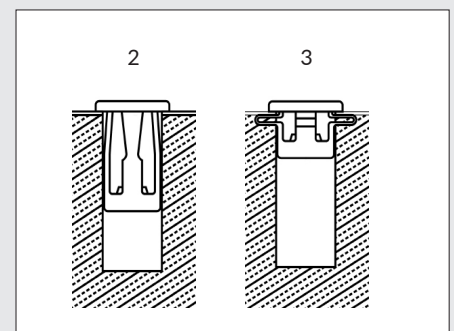
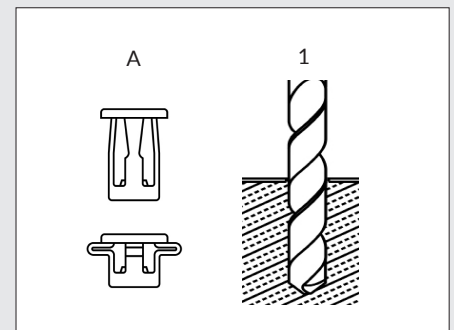
MATERIALS:

- 304 & 316 stainless steels

GRAPHICS: A FEW MINUTES PROCESS

- A. Stock and actuated Rivet Nut
1. Drill 7/16" hole into IMP
2. Rivet nut placed in hole
3. Rivet nut actuated and secured to IMP via \$40.00

MARSON, M39043 MJN-2 JACK NUT INSERT TOOL



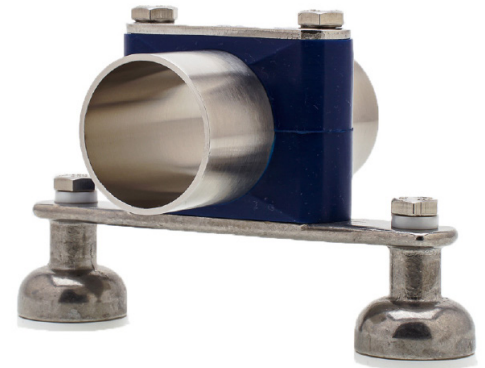


ZERO CAULK UNIVERSAL PLATE - ZCUP STYLE

- Silicone rubber gasket seals the bracket's boot to mounting surface.
- Gasket seals to mounting surface removes the need for caulk
- Caulk will breakdown and require removal and reapplication
- ZCUP's rod is cut to specified length for controlled centerlines
- CSD or PHH housing can be welded to ZCUP's rod
- Rod weld attachments are not limited products

ZERO CAULK BRACKET - ZCB STYLE

- Silicone rubber gaskets seal the brackets boots to mounting surface.
- Gaskets seal to mounting surface removes the need for caulk
- Caulk will breakdown and require removal and reapplication
- ZCB's boots 4" centerline lands squarely on IMP's flat section
- ZERO PUDDLE/CSD series is the offered hanger



ZERO CAULK UNIVERSAL BRACKET MOUNT

- Silicone rubber gaskets seal the brackets boots to mounting surface.
- Gaskets seal removes the need for caulk
- Caulk will breakdown and require removal and reapplication
- Ideal for but not limited to mounting to blindside applications, i.e. Insulated metal panels via Jack Nuts/rivet nuts
- CSD or PHH housing can be welded to ZCUP's rod
- Rod weld attachments are not limited products

ZERO CAULK 1" PEDESTAL MOUNT - ZC1P STYLE

- Silicone rubber gasket seal the brackets boot to mounting surface.
- Gaskets seal to mounting surface removes the need for caulk
- Caulk will breakdown and require removal and reapplication
- Offered with ZERO PUDDLE/CSD or PHH hangers
- Silver ion additive is blended in the FDA grade Silicone Rubber Gaskets, impeding bacterial, mold, fungus from forming on the gasket

